

ALC600G

The Best just got Better: Smart Linear, Smart Pulse



- Linear motor (X/Y/U/V axis)
- Absolute linear scales (X/Y/U/V axis)
- Sodick Motion Controller
- Ceramic work-zone
- Remote controller
- 3-sided rise and fall work tank
- Triple filtration system
- Improved ease of operation
- Advanced wire tension control
- SPW generator
- SODICK Fine Corner Control
- Energy saving circuit
- Digital PIKA W Plus for super surface finish

- DSF (Dynamic Shape First)
- Automatic water level control
- Fixed Jet AWT (Automatic wire threader)
- Wire end remover
- Dielectric cooling unit
- Voltage stabiliser
- LAN interface
- 19" TFT colour screen
- Intelligent Q3vic EDW
- Anti-virus Software
- Work light
- Built-in 20kg wire feeder
- Active Power Restart (UPS)

Technical Specifications	
X/Y/Z axis travel (mm)	600 x 400 x 350
U/V axis travel (mm)	150 x 150
Taper angle (Work. height 130mm)	±25°
Work tank dimensions (W x D, mm)	1050 x 710
Max. workpiece weight (kg)	1000
Wire diameter (mm)	Ø 0.1 ~ Ø 0.3
Wire tension (N)	3 ~ 23
Max. wire speed (mm/sec)	420
Max. wire bobbin (kg)	20
Distance from floor to table top (mm)	995
Machine tool dimensions (W x D x H, mm)	2495 x 2885 x 2345
Machine tool weight (kg)	3950
Total power input	3-phases 50/60Hz 13KVA

Dielectric Tank	
External dimensions (W x D, mm)	725 x 2504
Empty weight (kg)	600
Capacity (l)	800
Filtration method	3 Replaceable paper filters (internal pressure)
Deionizer	Ion exchange resin (18-lit. type)

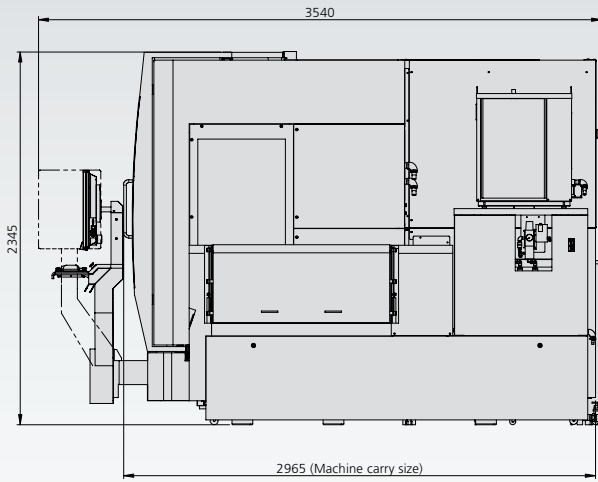
Options	
0.05mm wire spec.	Esprit CAM software offline (regional option)
HTP high-voltage circuit	Workpiece changer, electrode changer and robots
Taper flex 45 NEO (for taper cutting up to 45°)	WS4P/5P rotary table (indexing or simultaneous movement)
L-Cut (Wire chopper)	8-axis Simultaneous Control (Factory option)
Anti-Corrosion System (ANCS)	Custom colour

ALC600G

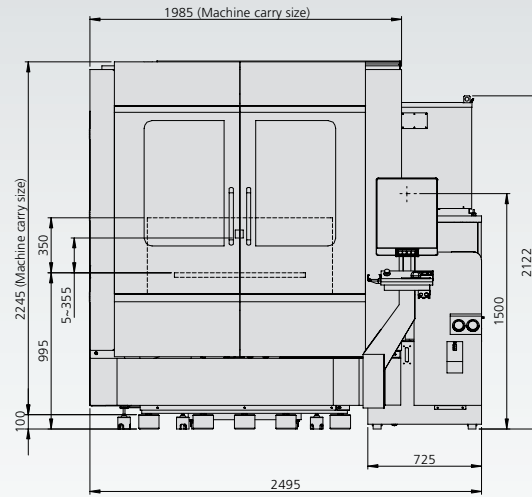
Technical Specifications



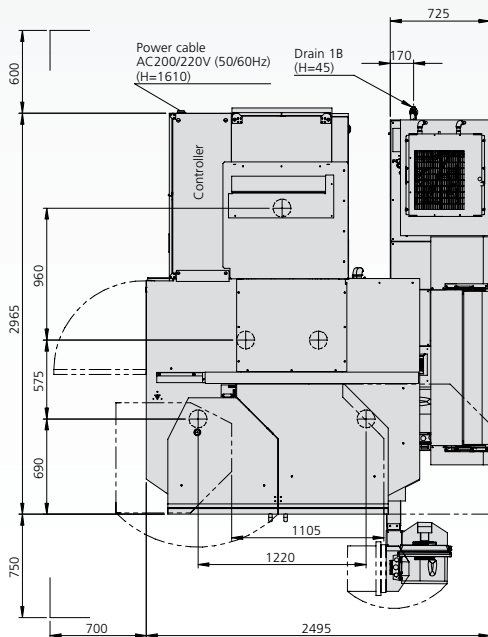
Side View



Front View



Top View



Due to ongoing research, specifications are subject to change without prior notice.

Sodick

create your future

Sodick Europe Ltd.
Rowley Drive, Baginton
Coventry, CV3 4FG
United Kingdom

Sodick Contact
phone: +44 (0) 24 7621 4314
email: europe@sodick.eu.com
online: www.sodick.org